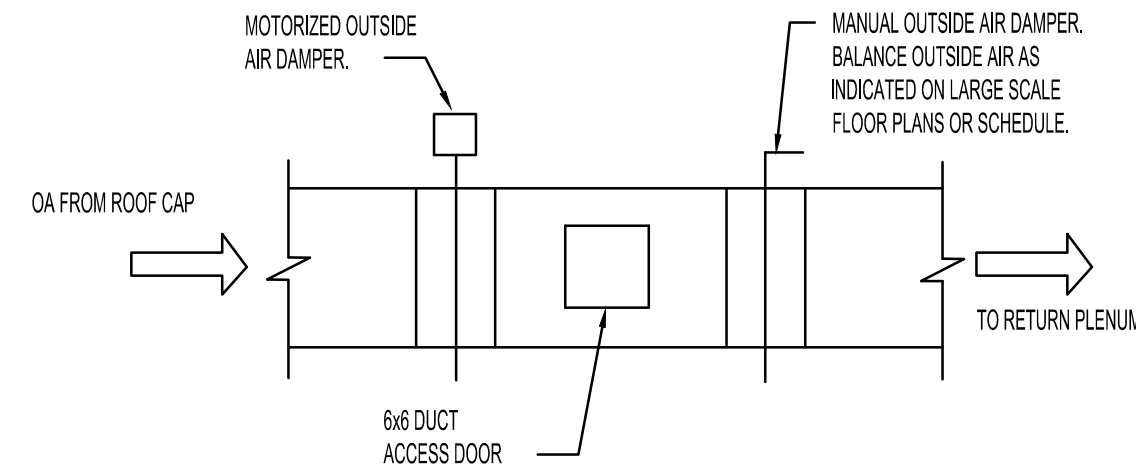
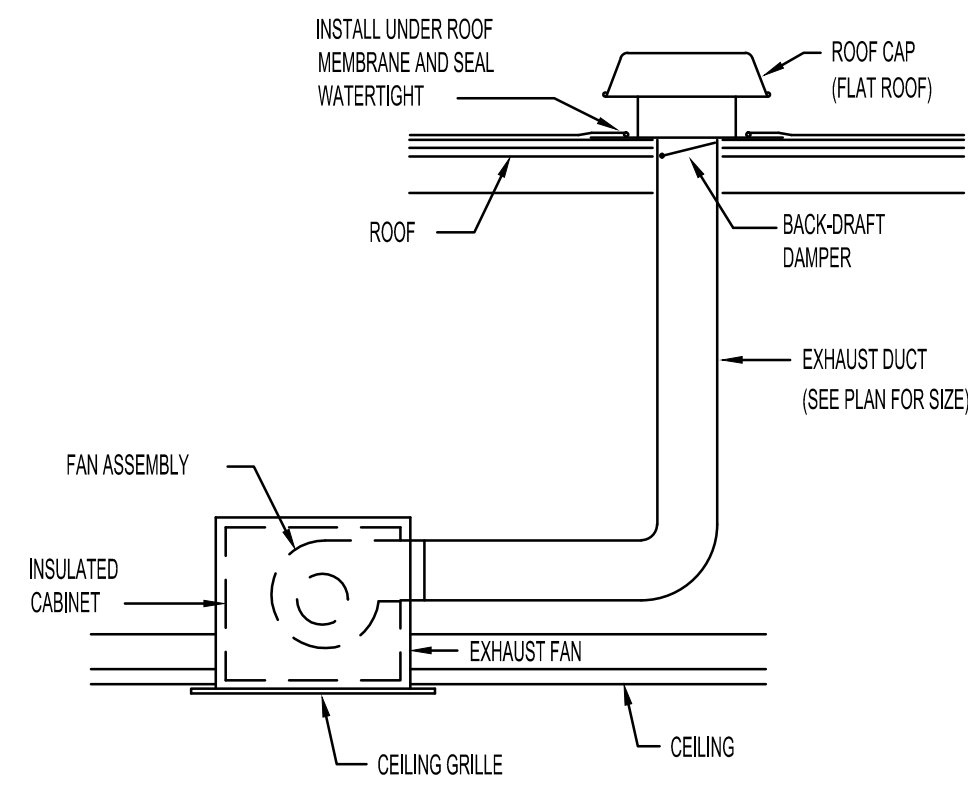


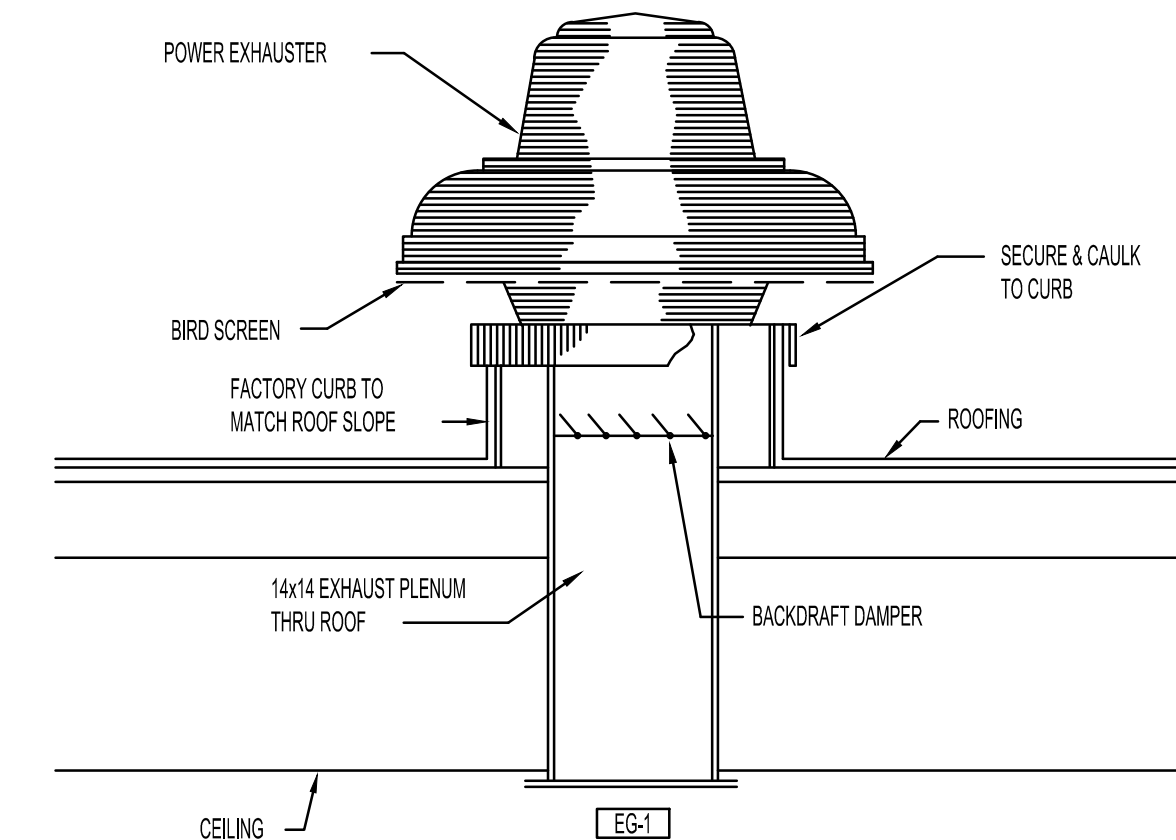
A ROUND DUCT ELBOW DETAILS NO SCALE



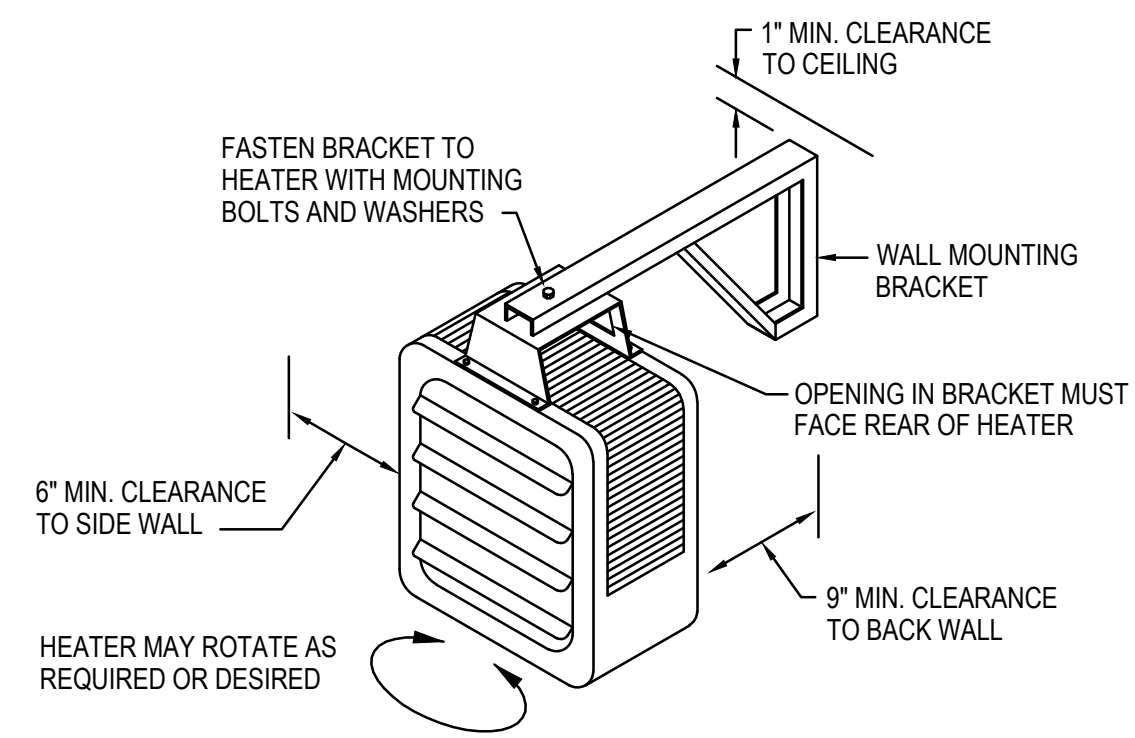
B OUTSIDE AIR DAMPER INSTALLATION NO SCALE



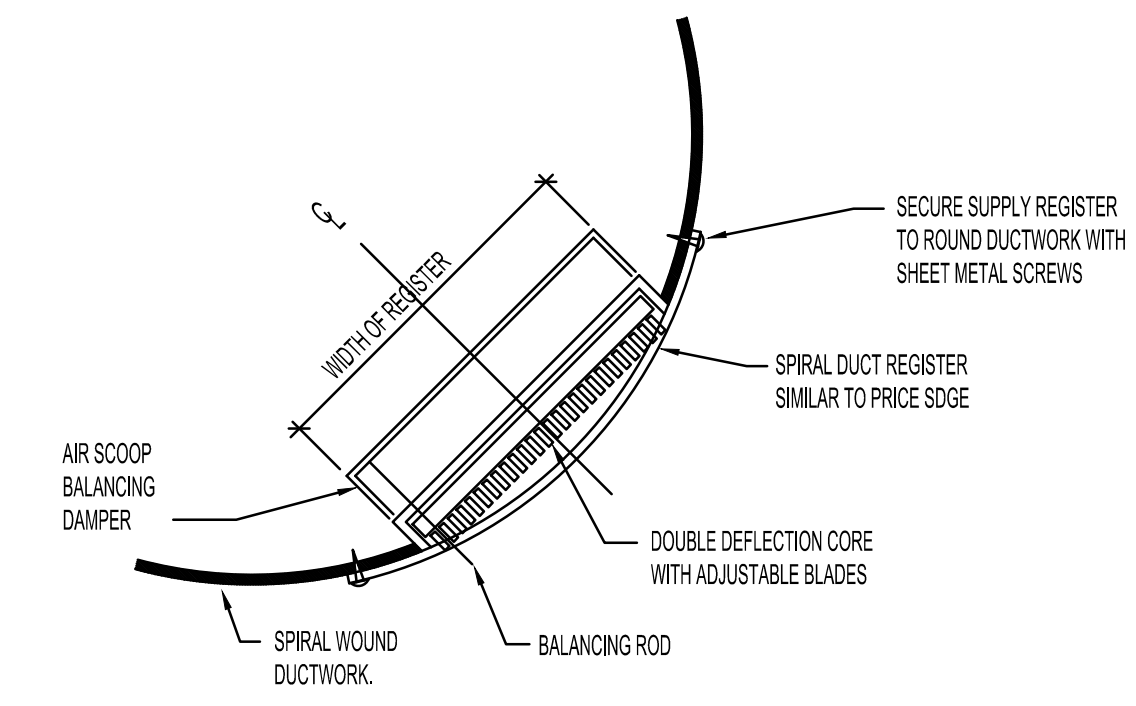
C CEILING MOUNTED EXHAUST FAN DETAIL NO SCALE



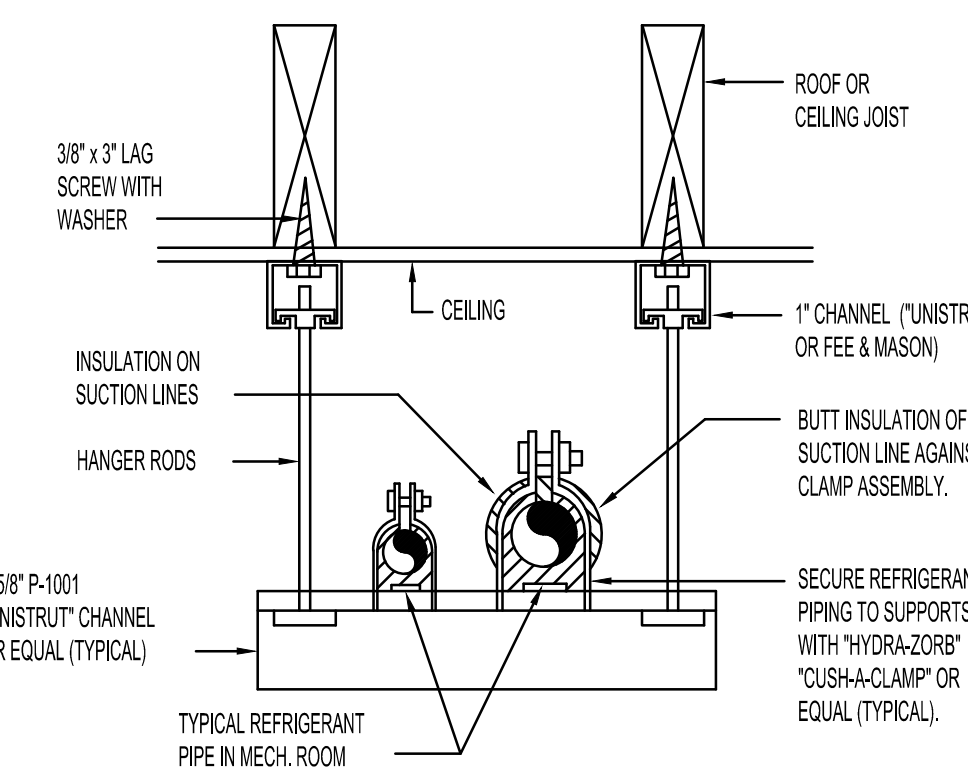
D ROOF MOUNTED EXHAUST FAN DETAIL NO SCALE



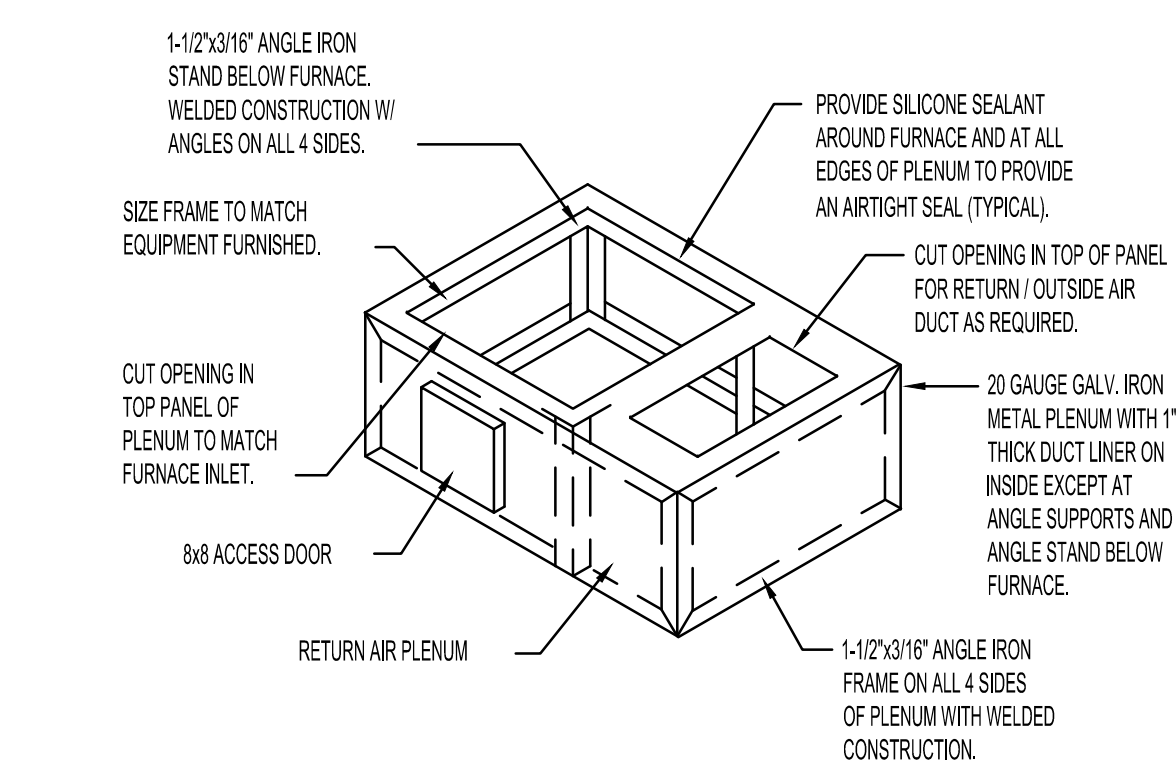
E TYPICAL ELECTRIC HEATER MOUNTING DETAIL NO SCALE



F SR-1 REGISTER INSTALLATION DETAIL NO SCALE

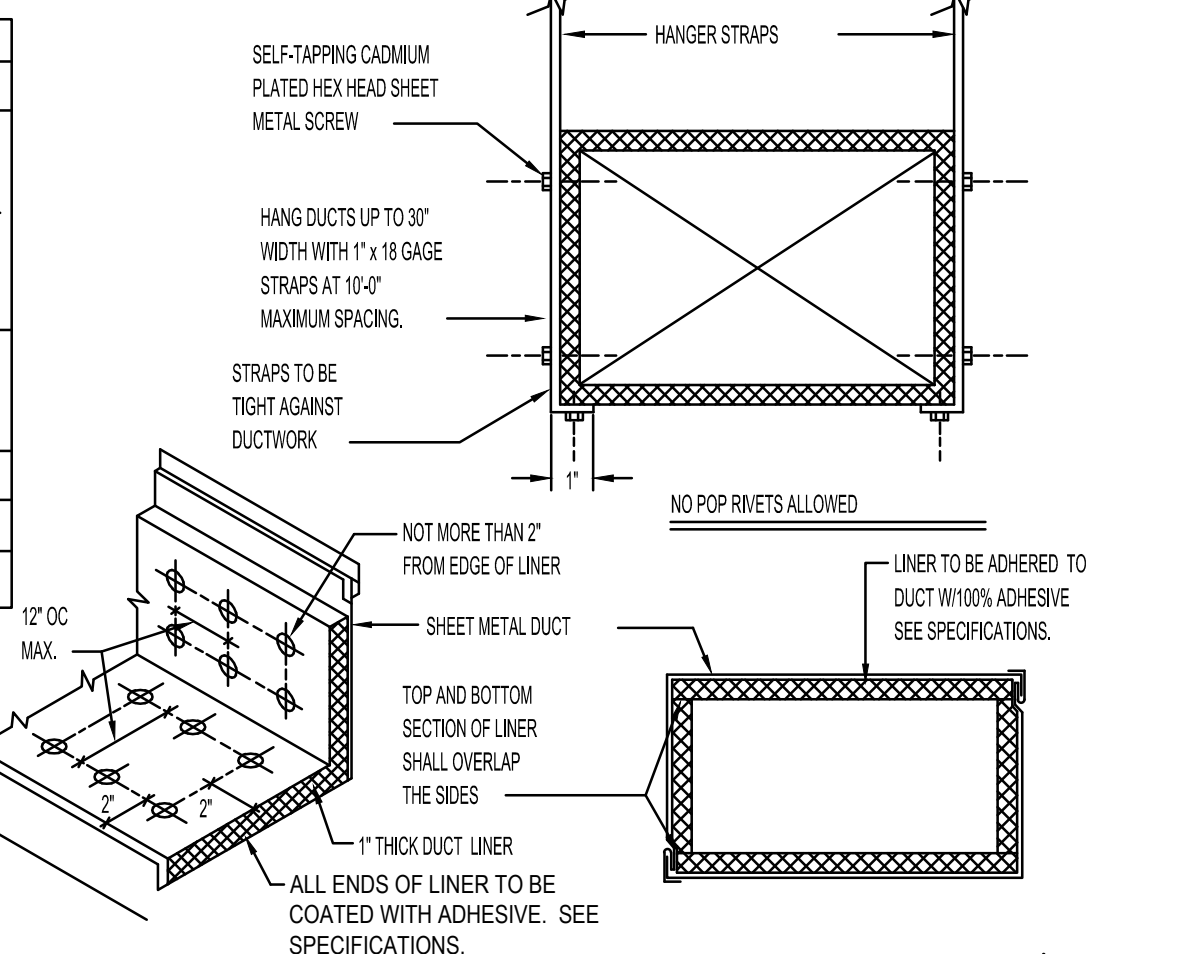


G PIPE SUPPORT DETAIL NO SCALE

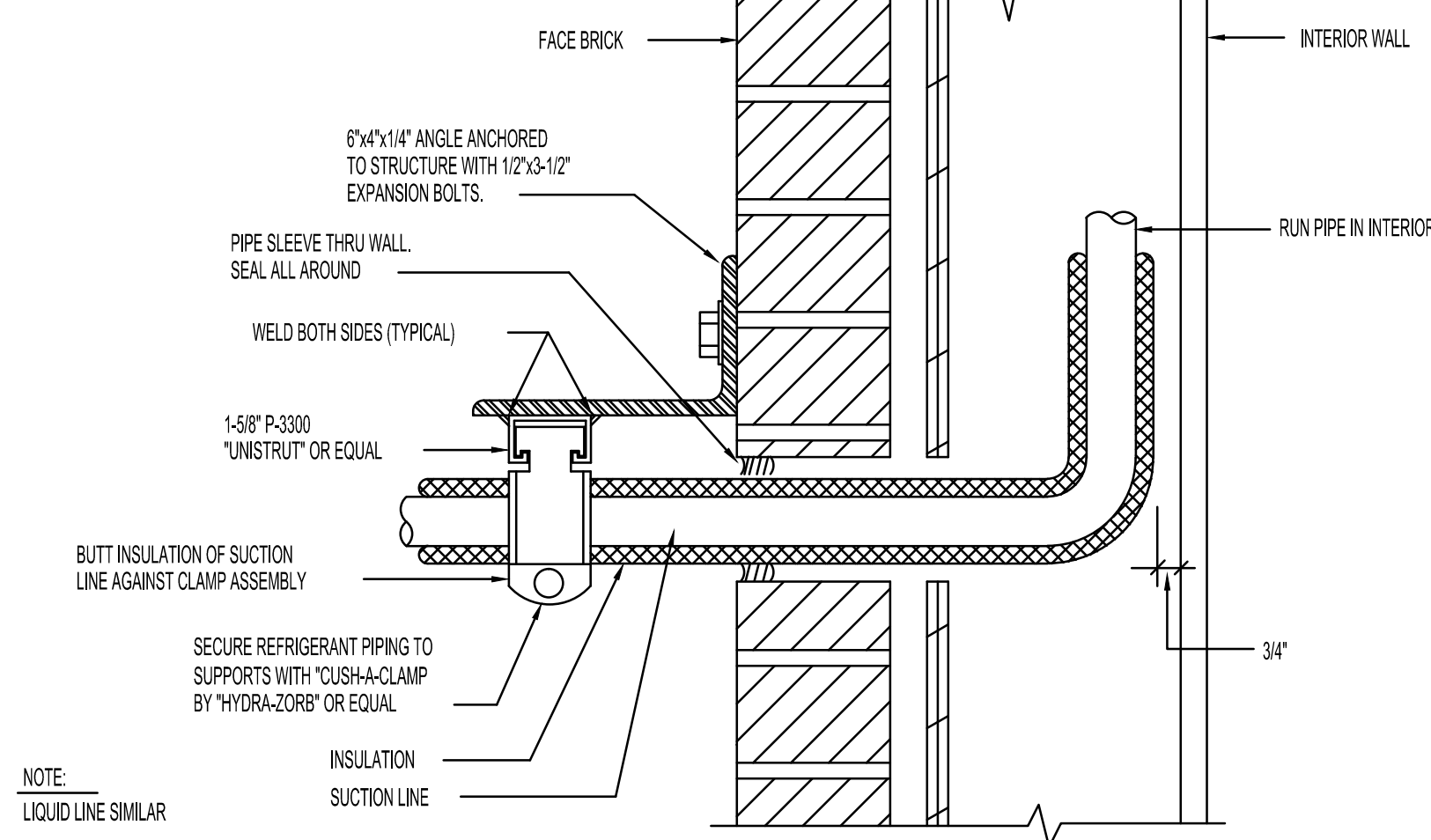


H PLENUM BASE CONSTRUCTION DETAIL NO SCALE

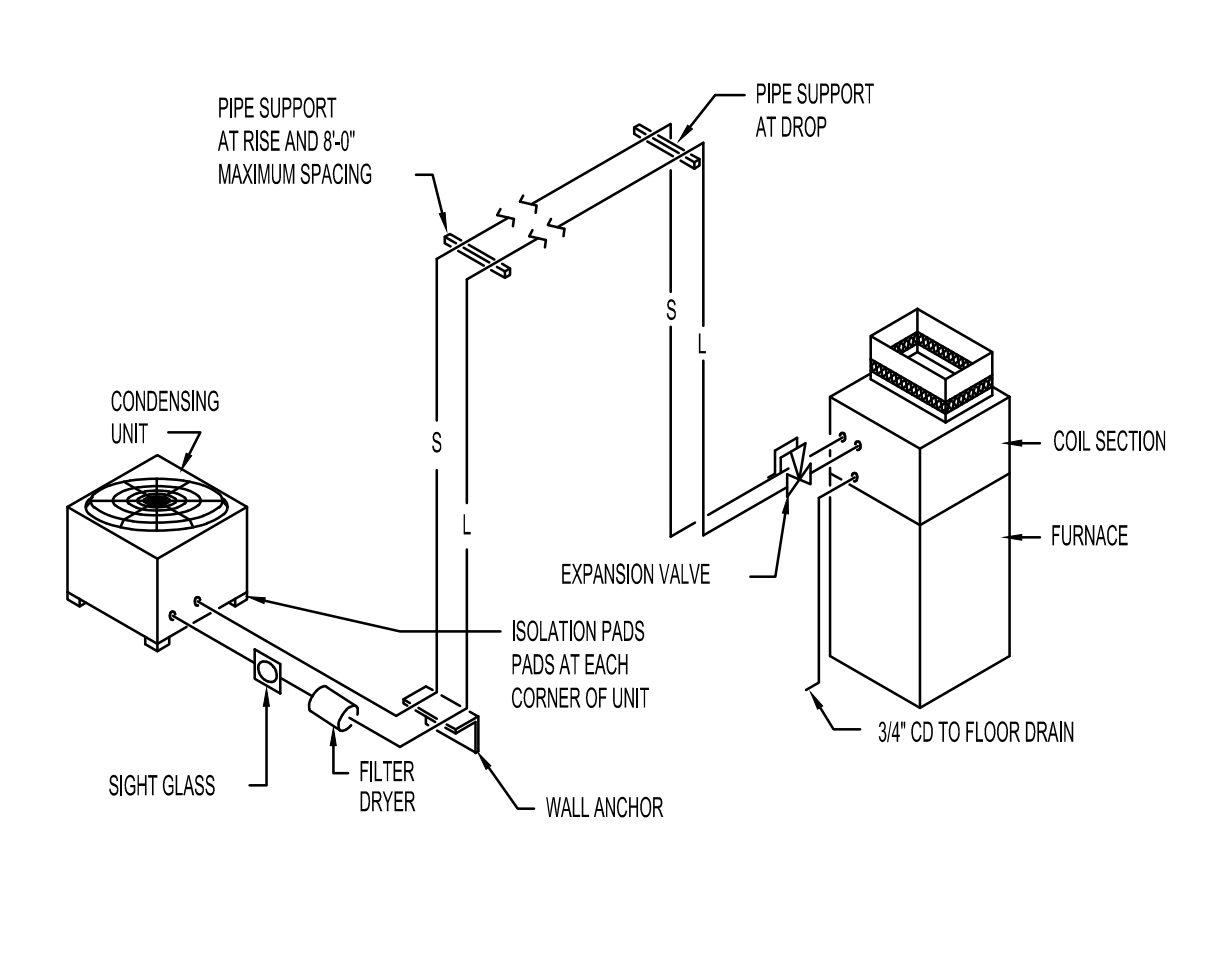
DIMENSION OF LONGEST SIDE, INCHES	SHEET METAL GAGE (ALL FOUR SIDES)	TRANSVERSE REINFORCING (1)	
		MINIMUM REINFORCING ANGLE SIZE AND MAXIMUM LONGITUDINAL SPACING BETWEEN TRANSVERSE JOINTS AND INTERMEDIATE REINFORCING	AT JOINTS
UP THRU 12	26	NONE REQUIRED	26 DRIVE SLIP HEMMED S SLIP
13 - 18	24	NONE REQUIRED	24 RECOMMENDED GAGE
19 - 30	24	1"x1"x1/8" @ 80 IN	24 RECOMMENDED GAGE



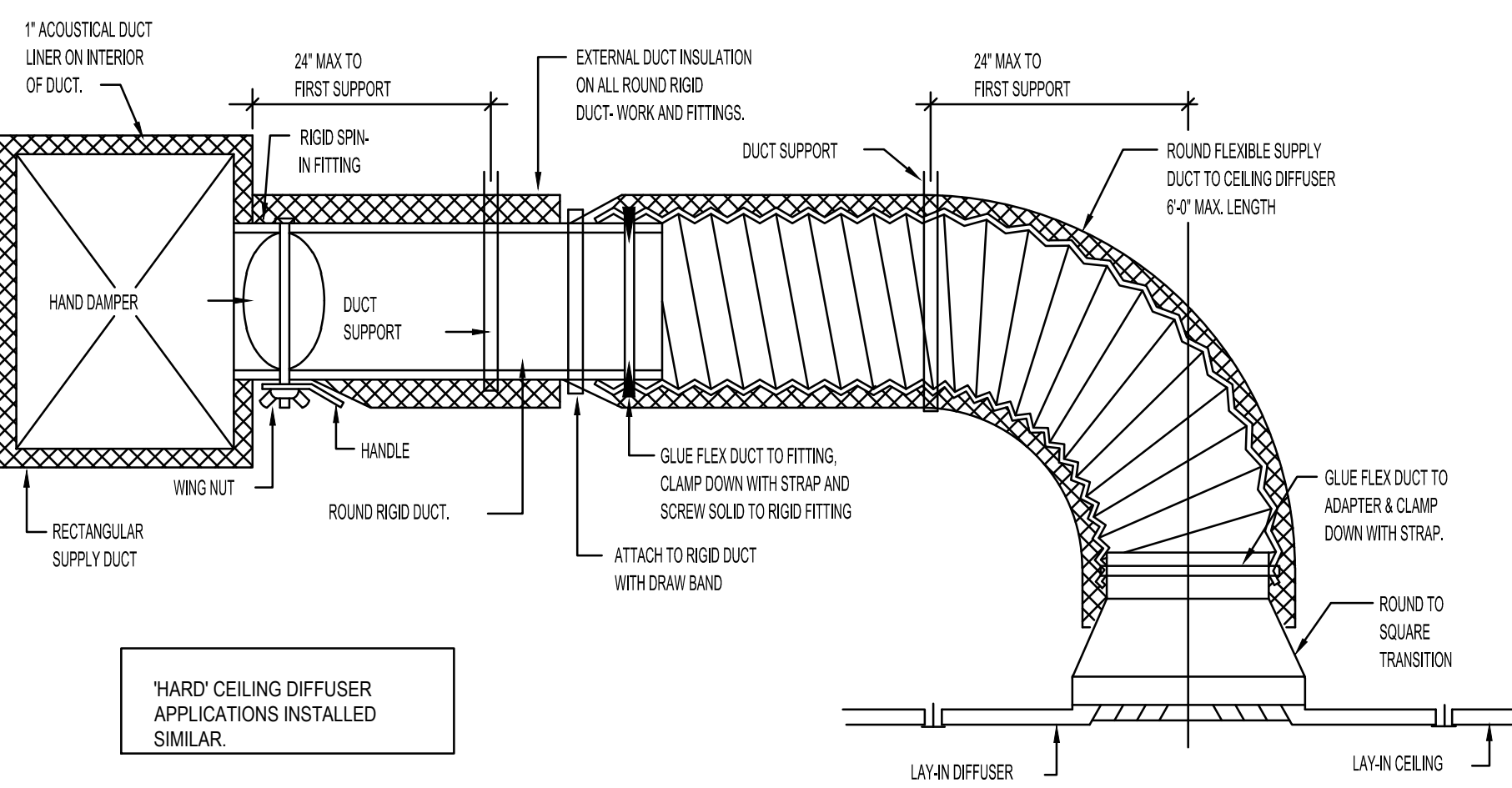
J DUCT CONSTRUCTION AND HANGER DETAIL NO SCALE



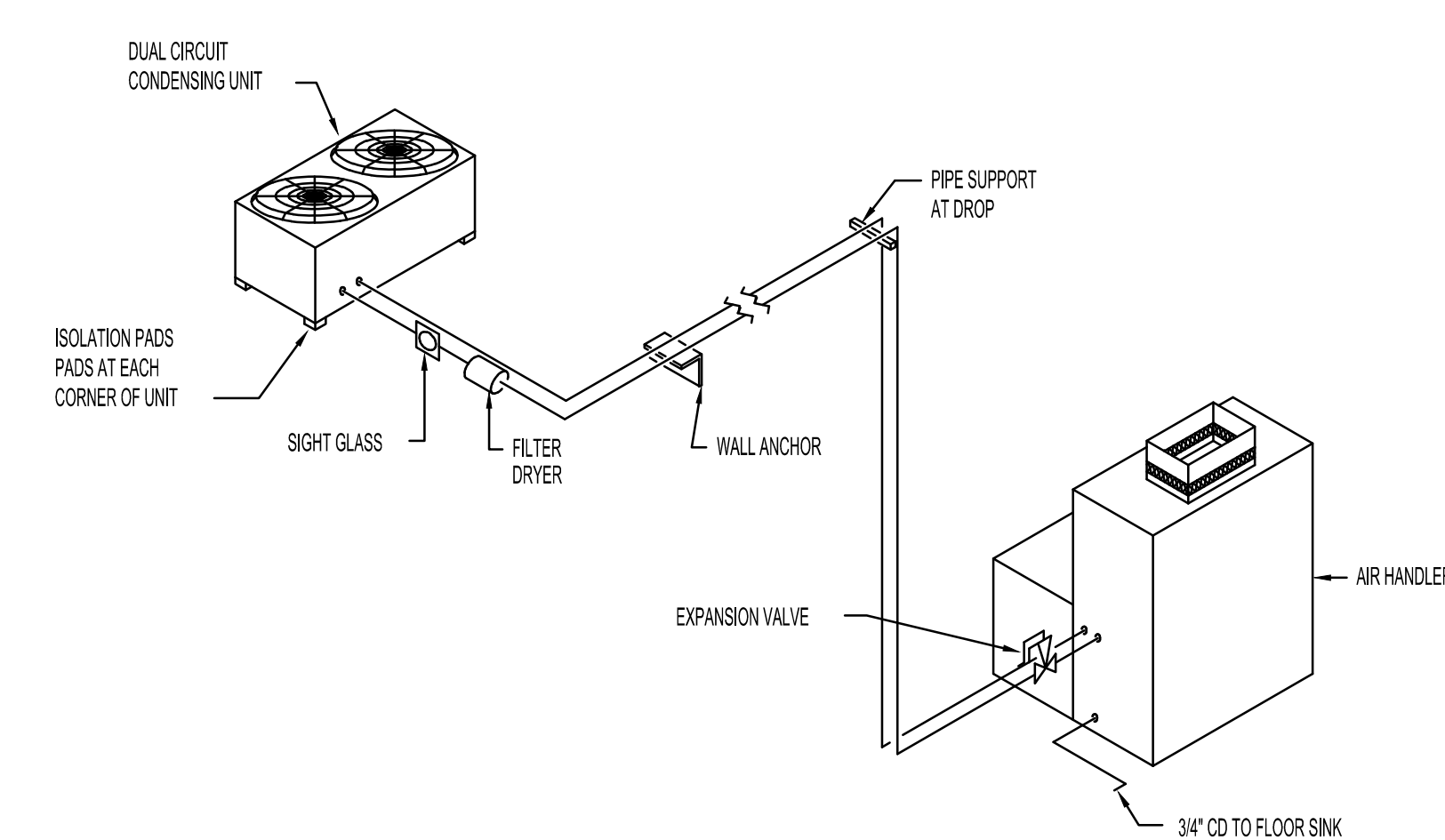
K REFRIGERANT PIPE SUPPORT AT WALL NO SCALE



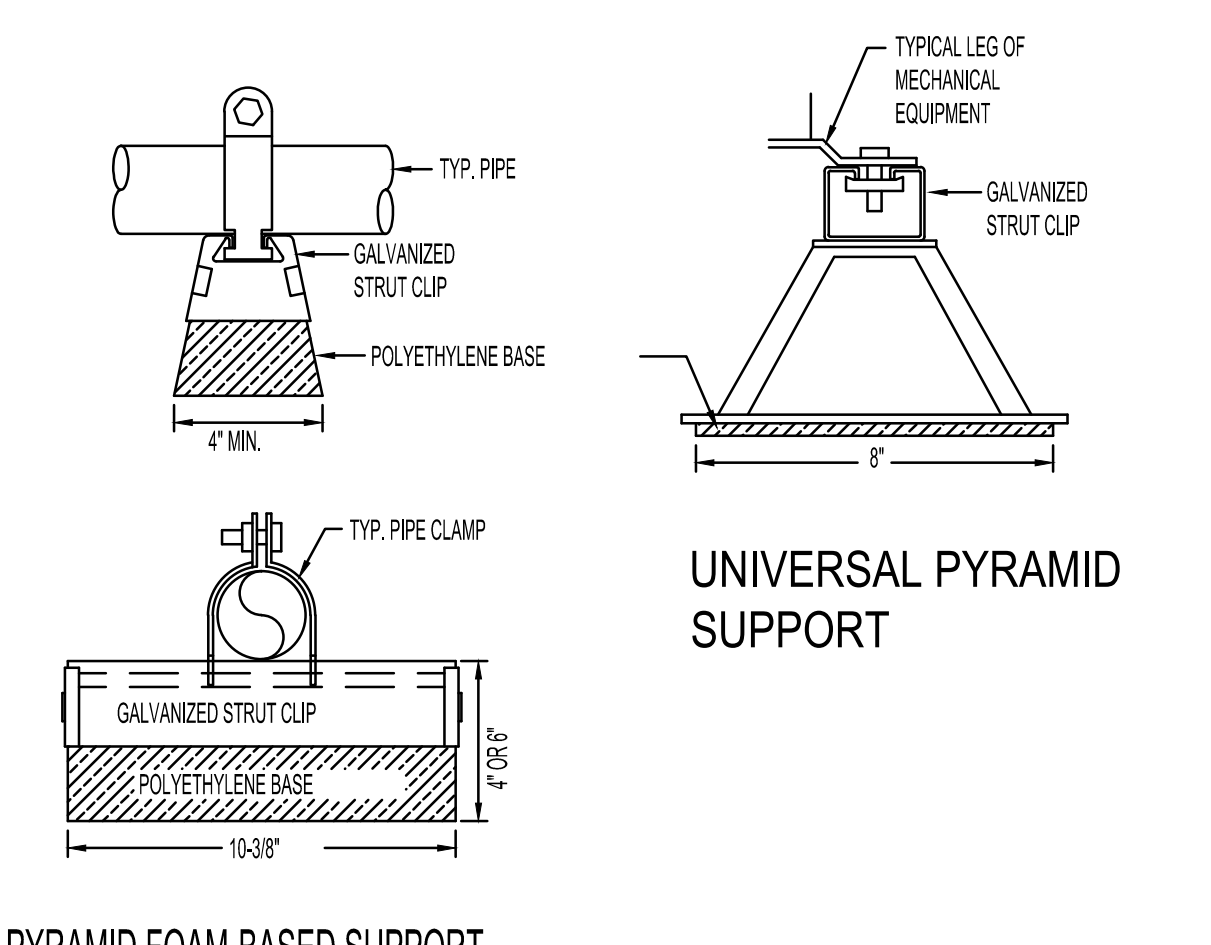
L REFRIGERANT PIPING DIAGRAM NO SCALE



M CEILING DIFFUSER WITH FLEXIBLE DUCT DETAIL NO SCALE



N AH-1 REFRIGERANT PIPING DIAGRAM NO SCALE



O EQUIPMENT & PIPING SUPPORTS NO SCALE

**GENERAL NOTES:**

- THE CONTRACTOR SHALL CHECK AND VERIFY ALL DIMENSIONS AND CONNECTIONS ON THE JOB SITE. ALL WORK SHALL BE EXECUTED FROM MEASUREMENTS TAKEN AT THE SITE.
- THE MECHANICAL CONTRACTOR SHALL BE RESPONSIBLE TO INSURE PROPER CODE CLEARANCES FOR ELECTRICAL AND MECHANICAL ACCESS WHEN INSTALLING ANY EQUIPMENT SUPPLIED BY THE MECHANICAL CONTRACTOR.
- IT IS CRITICAL THAT THIS CONTRACTOR COORDINATE EQUIPMENT LOCATIONS WITH PIPING, DUCTWORK, ELECTRICAL CONDUIT AND BUILDING STRUCTURE TO INSURE CODE COMPLIANCE.
- CEILING DIFFUSERS ARE SHOWN IN APPROXIMATE LOCATIONS. REFER TO LIGHTING PLANS AND REFLECTED CEILING PLAN FOR EXACT LOCATIONS.
- DUCT DIMENSIONS CALLED OUT ON DRAWINGS ARE INSIDE FREE AREA DIMENSIONS. ACOUSTICAL DUCT LINER ARE TO BE ADDED TO OVERALL MEASUREMENTS.
- ALL DUCTWORK AND PIPING WHICH PASSES THRU FIRE RATED WALLS TO BE FIRE STOPPED WITH APPROVED FOAM OR SEALANT. REFER TO SPECIFICATIONS FOR APPROVED MANUFACTURES.

ORIGINAL DRAWING SIGNED BY: DWAYNE C. SUDWEEKS  
 DATE ORIGINAL SIGNED: April 12, 2019 ORIGINAL ON FILE AT:  
 ENGINEERED SYSTEMS ASSOCIATES 1355 EAST CENTER, POCA TELLO, IDAHO 83201

**Engineered Systems Associates**  
 1355 EAST CENTER  
 POCA TELLO, IDAHO 83201  
 PHONE: (208) 233-0501  
 FAX: (208) 233-0529  
 EMAIL: esa@engsystems.com  
 ESA JOB NUMBER: 18072

**nw architects.p.a.**  
 ARCHITECTURE / PLANNING / INTERIORS  
 SCOTT L NIELSON A.A. KEVIN R BODILY A.A. JAMES H WYATT A.A.  
 990 JOHN BIRDS PARKWAY P.O. BOX 2212 - IDAHO FALLS, IDAHO 83402-2212  
 (P) 208-522-8779 (F) 208-522-8785 (W) nwarchitects.com

ADDITION & REMODEL FOR:  
**HARWOOD ELEMENTARY**  
 JEFFERSON JOINT SCHOOL DISTRICT NO. 251  
 200 W 3RD N, RIGBY, IDAHO 83442

PROJECT:  
 MECHANICAL DETAILS

REVISIONS

NO.	DESCRIPTION

PROJECT NO.  
16070  
 DATE:  
APRIL 2019  
 DRAWN BY:  
M JENSEN  
 CHECKED BY:  
D SUDWEEKS

DRAWING NO.:  
**M3.1**